



# Lexmark MS710 Series



## Handle complex specialty media effortlessly.

Reliable, fast and easy-to-use, the Lexmark MS710 Series is ideal for customers who need to print on specialty vinyl or narrow batched media.

## Stand out by using vinyl and narrow media.

Outstrip the competition by printing a wide variety of specialty media from one reliable device. Our advanced paper handling allows you to process more in less time.

**Print on a wide range of media:** Works easily with a wide range of sizes and diverse materials—from small, narrow formats to vinyl outdoor media.

**Excel at narrow sizes:** Don't sweat the small stuff. With excellent feed reliability, the MS710 Series is superior at printing media as narrow as 2.8 inches wide.

**Handle large runs reliably:** Get superior results when printing specialty media in larger quantities. Our advanced pick mechanism delivers consistent throughput to effortlessly handle your large print jobs locally.



Up to  
55 ppm



Multiple  
media



Finishing  
function



Flexible input  
capacity



## Innovative toner for optimal image quality:

Experience greater performance with Lexmark's Unison™ Toner, which delivers consistent quality from the first print to the last, no matter what you print on.

## Set the pace for accelerated productivity.

Efficiency and accuracy mean printing every document right the first time, regardless of media type. This dependable advanced series prints specialty media based on your preferences and volumes.

**Reliable high performance:** Easily print up to 75,000 pages per month on complex media and enjoy smoother print runs, thanks to our state-of-the-art paper handling.



**Keep jobs moving:** With a maximum input capacity of up to 4,400 sheets spread over six input trays, you can load a variety of media to easily execute diverse print jobs from one device. Opt for a lockable tray to keep your prescription forms and other sensitive paper secure.

**Fast processing power:** Improve print speeds by taking advantage of up to 2.5 GB of upgradable memory, an 800 MHz dual-core processor and Gigabit Ethernet. MS710 delivers the power you need to react quickly to a competitor's price move by printing locally on demand.

**Rapid professional printing:** Great for office printing such as business documents, invoices and reports. You'll race through print runs at speeds up to 55 pages per minute.

**Make the move to multipurpose:** Combine with the MX6500e Multifunction Option to add full multifunction capability. Enjoy the convenience of copying, faxing, emailing and scanning—all from one device.

### **Adaptable. Secure. Dependable.**

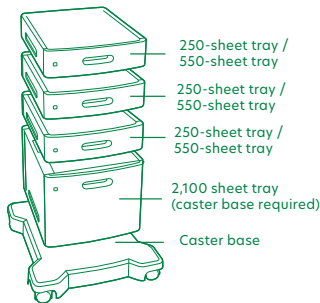
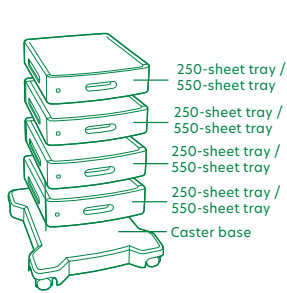
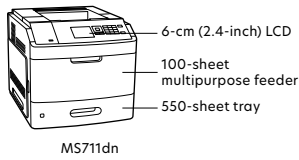
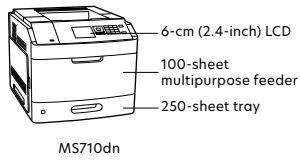
Respond quickly to changing business needs with the Lexmark MS710 Series. Designed to enable convenient on-demand printing and streamline your business operations, these printers are specifically engineered for printing on complex, hard-to-print media. This makes them the ideal choice for:

**Retail signage:** Print great-looking shelf-edge signs and labels. For the world's leading shelf-edge signage solution, combine with our Print and Digital Signage solution. Visit [lexmark.com/en\\_us/solutions/retail/print-and-digital-signage.html](http://lexmark.com/en_us/solutions/retail/print-and-digital-signage.html) for details.

**Pharmacy:** Print integrated and dual web prescription labels and duplex pharmacy media right the first time, regardless of media type. Lexmark's reliable devices deliver high performance in a compact space-saving design.

**Government:** Designed to modernize and improve service delivery, Lexmark devices improve and automate your processes, allowing you to easily print on complex media such as license plate tags, identification documents and permits. Our products can also help you maintain compliance with mandated security standards, such as secure driver's licenses.

# MS710 Series printer features



■ Standard  
■ Optional

Product specifications	Lexmark MS710dn	Lexmark MS711dn
<b>Printing</b>		
Display	2.4-inch (6 cm) color LCD display	
Print Speed: Up to <sup>3</sup>	Black: 50 ppm	Black: 55 ppm
Time to First Page: As fast as	Black: 8 seconds	
Print Resolution	Black: 1200 Image Quality, 2400 Image Quality, 600 x 600 dpi	
Memory / Processor	Standard: 512 MB / Maximum: 2560 MB / Dual Core, 800 MHz	
Hard Disk	Option available	
Recommended Monthly Page Volume <sup>7</sup>	3000 - 50000 pages	5000 - 75000 pages
Maximum Monthly Duty Cycle: Up to <sup>5</sup>	250000 pages per month	300000 pages per month
<b>Supplies<sup>2</sup></b>		
Laser Cartridge Yields (up to) <sup>1</sup>	25,000-page High Yield Cartridge	25,000-page High Yield Cartridge, 45,000-page Extra High Yield Cartridge
Imaging Unit Estimated Yield: Up to <sup>4</sup>	100000 pages, based on 3 average letter/A4-size pages per print job and ~ 5% coverage	
Cartridge(s) Shipping with Product <sup>1</sup>	10,000-page Starter Return Program Toner Cartridge	
<b>Paper Handling</b>		
Included Paper Handling	250-Sheet Input, 100-Sheet Multipurpose Feeder, 550-Sheet Output Bin, Integrated Duplex	550-Sheet Input, 100-Sheet Multipurpose Feeder, 550-Sheet Output Bin, Integrated Duplex
Optional Paper Handling	250-Sheet Tray, 550-Sheet Tray, 2100-Sheet Tray, 250-Sheet Lockable Tray, 550-Sheet Lockable Tray, 4-Bin Mailbox, Staple Finisher, Staple Punch Finisher, High Capacity Output Expander, Output Expander	
Paper Input Capacity: Up to	Standard: 350 pages 20 lb or 75 gsm bond / Maximum: 4100 pages 20 lb or 75 gsm bond	Standard: 650 pages 20 lb or 75 gsm bond / Maximum: 4400 pages 20 lb or 75 gsm bond
Paper Output Capacity: Up to	Standard: 550 pages 20 lb or 75 gsm bond / Maximum: 2450 pages 20 lb or 75 gsm bond	
Media Types Supported	Card Stock, Dual Web Labels, Integrated Labels, Paper Labels, Plain Paper, Polyester Labels, Transparencies, Vinyl Labels, Refer to the Card Stock & Label Guide.	
Media Sizes Supported	A4, A5, Executive, Folio, JIS-B5, Legal, Letter, Statement, Universal, Oficio, A6	
<b>General Information<sup>6</sup></b>		
Standard Ports	One Internal Card Slot, USB 2.0 Specification Hi-Speed Certified (Type B), Gigabit Ethernet (10/100/1000), Front USB 2.0 Specification Hi-Speed Certified port (Type A)	
Optional Network Ports / Optional Local Ports	Internal MarkNet N8350 802.11b/g/n Wireless / Internal RS-232C serial, Internal 1284-B Bidirectional Parallel	
Noise Level: Operating	Print: 55 dBA	Print: 56 dBA
Specified Operating Environment	Temperature: 16 to 32°C (60 to 90°F), Humidity: 8 to 80% Relative Humidity, Altitude: 0 - 2896 Meters (9,500 Feet)	
Limited Warranty - See Statement of Limited Warranty	1-Year Exchange Service, Next Business Day	
Size (in. - H x W x D) / Weight (lb.)	15.4 x 16.7 x 20.1 in. / 51.0 lb.	16.5 x 16.7 x 20.1 in. / 52.4 lb.

<sup>1</sup>Average standard page yield value declared in accordance with ISO/IEC 19752. <sup>2</sup>Product functions only with replacement cartridges designed for use in a specific geographical region. See [www.lexmark.com/regions](http://www.lexmark.com/regions) for more details. <sup>3</sup>Print and copy speeds measured in accordance with ISO/IEC 24734 and ISO/IEC 24735 respectively (ESAT). For more information see: [www.lexmark.com/ISOspeeds](http://www.lexmark.com/ISOspeeds). <sup>4</sup>Actual Yield may vary based on other factors such as device speed, paper size and feed orientation, toner coverage, tray source, percentage of black-only printing and average print job complexity. <sup>5</sup>Maximum Monthly Duty Cycle<sup>5</sup> is defined as the maximum number of pages a device could deliver in a month using a multishift operation. This metric provides a comparison of robustness in relation to other Lexmark printers and MFPs. <sup>6</sup>Printers are sold subject to certain license/agreement conditions. See [www.lexmark.com/printerlicense](http://www.lexmark.com/printerlicense) for details. <sup>7</sup>Recommended Monthly Page Volume<sup>7</sup> is a range of pages that helps customers evaluate Lexmark's product offerings based on the average number of pages customers plan to print on the device each month. Lexmark recommends that the number of pages per month be within the stated range for optimum device performance, based on factors including: supplies replacement intervals, paper loading intervals, speed, and typical customer usage.